

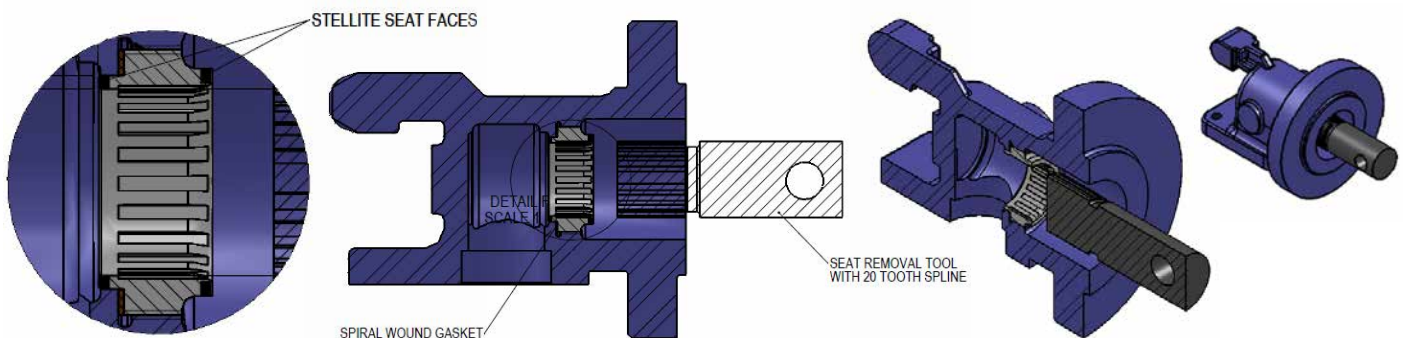


The Berg Soot Blower valve is used to blow high pressure steam at 5000 psi into boiler tubes with the aid of a special lance designed to go into the boiler tubes and blow out the soot that builds up inside the flame tubes of a boiler system.

Less down time, and much more cost efficient maintenance

The Stellite seat is of much better quality because its easier to get the right thickness and consistency of Stellite with a seat component rather than trying to reach deep into the valve throat with a PTA torch.

Secondly, the seat is replaceable easily with a special tool so when it does wear out there in no need to change out the whole valve, just unscrew the old one and reinsert a new seat with the special gasket and your are up and running again.



Phone our friendly team on 07 3881 6222 or info@bergengineering.com.au
For more information visit our website www.bergengineering.com.au